

ASME CLASS 150/300 3 & 4-Way Ball Valves, Flanged Ends, Full Port

KV-L5U, KV-L5S (Direct Mount Type)

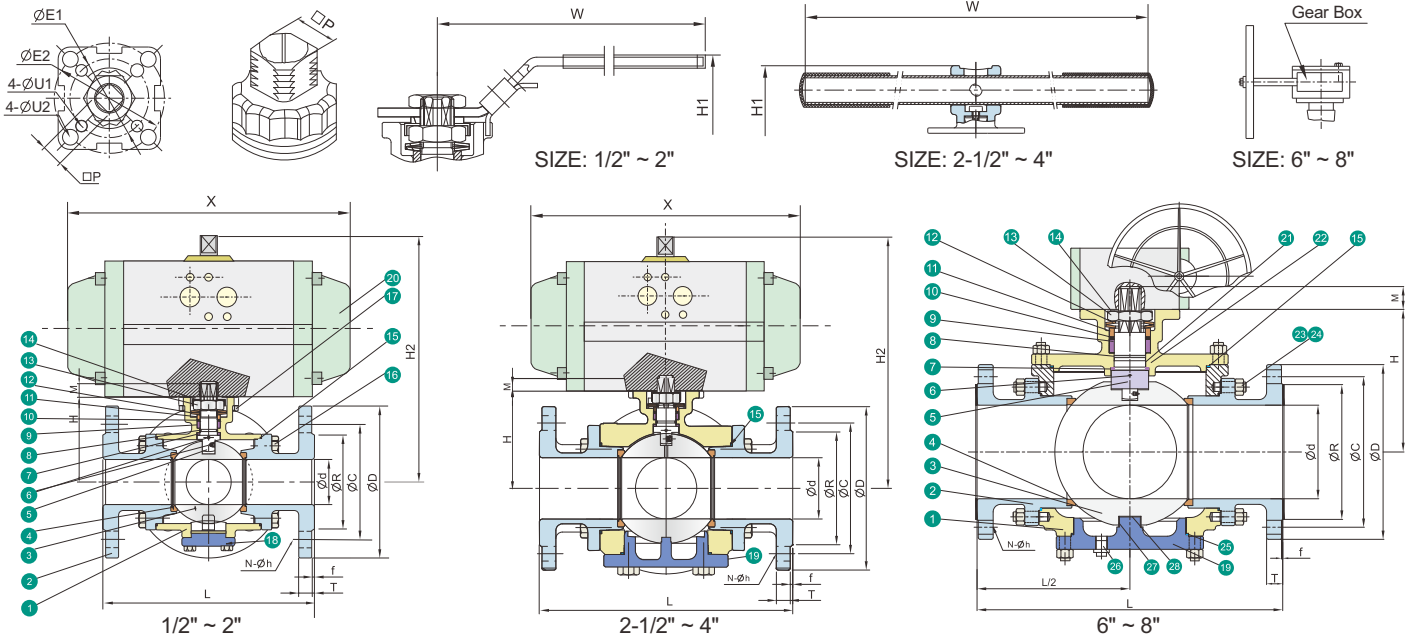
FEATURES:

- Built-in ISO 5211 Direct Mounting Pad for Easy Automation
- Anti-Static Devices for Ball-Stem-Body
- Blow-out Proof Stem
- **TA-LUFT** Design Approved
- Top Entry For 6"~8"
- Positive Position Location At 90° Increments
- Locking in Every 90° Increments
- KV-L5U/L, KV-L5S/L: L-Port
KV-L5U/T, KV-L5S/T: T-Port
KV-L5U/X, KV-L5S/X: LL-Port
- Options: 1. Actuator 2. Limit Switch 3. Positioner

APPLICABLE STANDARDS:

- Design: ASME B16.34
- Flanged Ends: ASME B16.5
- Wall Thickness: ASME 16.34
- Inspection & Testing: API 598, API 6D

NO.	PART NAME	MATERIALS		
		CF8M	CF8	WCB
1	Body	CF8M	CF8	WCB
2	Cap	CF8M	CF8	WCB
3	Ball	CF8M	CF8	
4	Ball Seat	TFM1600 / PTFE		
5	Stem	316	304	
6	Anti-Static Device	316	304	
7	Thrust Washer	PTFE		
8	O-Ring	FKM		
9	Stem Packing	PTFE		
10	Bushing	50%SS + 50%PTFE		
11	Gland	316		
12	Belleville Washer	301		
13	Stem Nut	A194-8		
14	Stop-lock-cap	304		
15	Body Gasket	PTFE		
16	Bolt	A193-B8	A193-B7	
17	End Cap	CF8M	CF8	WCB
18	Hex Bolting	A193-B8		
19	Bottom Cap	CF8M	CF8	WCB
20	Actuator	Pneumatic KP / Electric KQ		
21	Stem Sleeve	50%SS+50%PTFE		
22	Cap(1)	CF8M	CF8	WCB
23	Nut	A2-70	8	
24	Bolt	A2-70	8.8	
25	Body Gasket	PTFE/GRAFOIL		
26	Plug	CF8M	CF8	
27	Bushing	50%SS+50%PTFE		
28	Washer	50%SS+50%PTFE		



■ ASME CLASS 150

KV-L5U

Unit: mm

SIZE	d	L	R	D	C	T	f	N	h	H	H1	W	M	P	U1	U2	E1	E2	ISO 5211
1/2"	15	150	35.0	90	60.3	8.0	2	4	16.0	53	83.3	144.5	9	9	6	6	36	42	F03-F04
3/4"	20	165	43.0	100	69.9	8.9	2	4	16.0	57	87.0	144.5	9	9	6	7	36	50	F03-F05
1"	25	181	51.0	110	79.4	9.6	2	4	16.0	68	99.0	175.0	11	11	6	7	42	50	F04-F05
1-1/4"	32	190	63.5	115	88.9	11.2	2	4	16.0	72	103.0	175.0	11	11	6	9	42	70	F04-F07
1-1/2"	38	212	73.2	125	98.4	12.7	2	4	16.0	85	119.0	200.0	14	14	7	9	50	70	F05-F07
2"	49	230	92.0	150	120.7	14.3	2	4	19.0	92	126.0	200.0	14	14	7	9	50	70	F05-F07
2-1/2"	63	290	104.7	180	139.7	15.9	2	4	19.0	107	172.0	400.0	17	17	9	11	70	102	F07-F10
3"	75	310	127.0	190	152.4	17.5	2	4	19.0	119	185.0	400.0	17	17	9	11	70	102	F07-F10
4"	99	367	157.0	230	190.5	22.3	2	8	19.0	150	221.0	400.0	22	22	N/A	11	N/A	102	F10
6"	150	490	216.0	280	241.3	23.9	2	8	22.3	229	—	500.0	36	36	18	22	140	165	F14-F16
8"	200	620	270.0	345	299.0	27.0	2	8	22.3	282	—	500.0	36	36	18	22	140	165	F14-F16

■ ASME CLASS 300

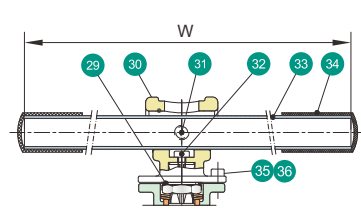
KV-L5S

Unit: mm

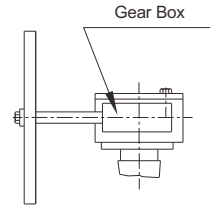
SIZE	d	L	R	D	C	T	f	N	h	H	H1	W	M	P	U1	U2	E1	E2	ISO 5211
1/2"	15	150	35.0	95	66.7	12.7	2	4	16.0	53	83.3	144.5	9	9	6	6	36	42	F03-F04
3/4"	20	165	43.0	115	82.6	14.3	2	4	19.0	57	87.0	144.5	9	9	6	7	36	50	F03-F05
1"	25	181	51.0	125	88.9	15.9	2	4	19.0	68	99.0	175.0	11	11	6	7	42	50	F04-F05
1-1/4"	32	207	63.5	135	98.4	17.5	2	4	19.0	72	103.0	175.0	11	11	6	9	42	70	F04-F07
1-1/2"	38	234	73.2	155	114.3	19.1	2	4	22.3	85	119.0	200.0	14	14	7	9	50	70	F05-F07
2"	49	258	92.0	165	127.0	20.7	2	8	19.0	92	126.0	200.0	14	14	7	9	50	70	F05-F07
2-1/2"	63	316	104.7	190	149.4	23.9	2	8	22.3	107	172.0	400.0	17	17	9	11	70	102	F07-F10
3"	75	360	127.0	210	168.3	27.0	2	8	22.3	119	185.0	400.0	17	17	9	11	70	102	F07-F10
4"	99	398	157.2	255	200.0	30.2	2	8	22.3	150	221.0	400.0	22	22	N/A	11	N/A	102	F10
6"	150	520	216.0	320	270.0	35.0	2	12	22.3	229	—	500.0	36	36	18	22	140	165	F14-F16
8"	200	660	270.0	380	330.0	39.7	2	12	25.4	282	—	500.0	36	36	18	22	140	165	F14-F16

FEATURES:

- Built-in ISO 5211 Direct Mounting Pad for Easy Automation
- Anti-Static Devices for Ball-Stem-Body
- Blow-out Proof Stem
- Quarter Turn & Half Turn Operation Are Available for Worm Gear
- Top Entry
- Positive Position Location At 90° Increments
- Locking in Every 90° Increments
- Multi-Port Configuration
KV-L5U(I)/L, KV-L5S(I)/L:L-Port
KV-L5U(I)/T, KV-L5S(I)/T:T-Port
KV-L5U(I)/X, KV-L5S(I)/X:LL-Port



SIZE: 4"



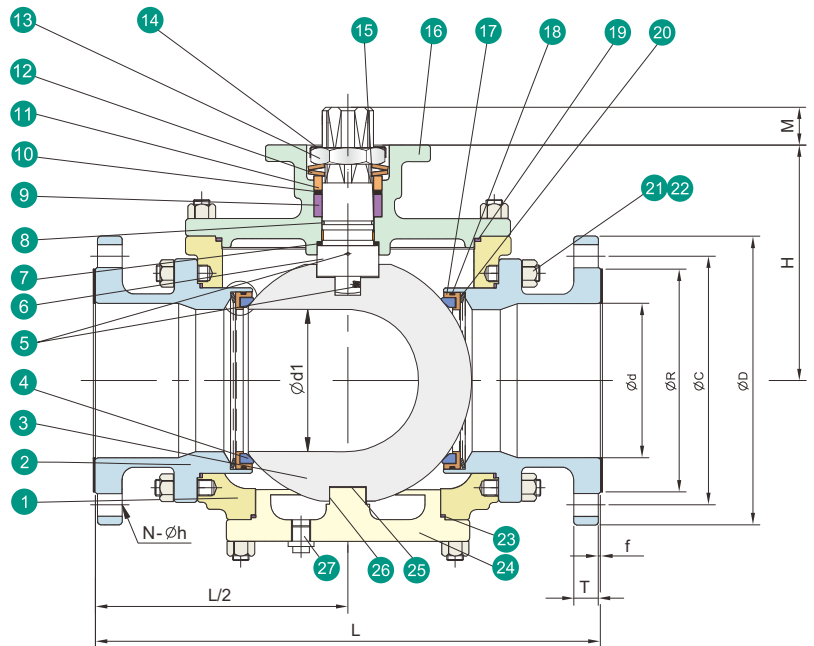
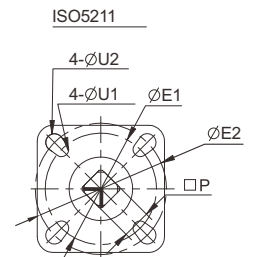
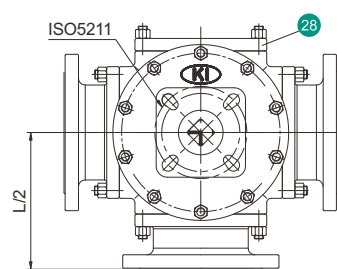
SIZE: 6" ~ 8"

APPLICABLE STANDARDS:

- Design: ASME B16.34
- Flanged Ends: ASME B16.5
- Wall Thickness: ASME B16.34
- Inspection & Testing: API 598

MATERIAL OF CONSTRUCTION

NO.	PART NAME	MATERIALS		
1	Body	CF8M	CF8	WCB
2	End Cap (1)	CF8M	CF8	WCB
3	Ball	CF8M	CF8	
4	Ball Seat	TFM1600/TFM4215		
5	Anti-static Device	316	304	
6	Stem	316	304	
7	Thrust washer	PTFE		
8	O-Ring	FKM		
9	Stem Packing	PTFE/GRAFOIL		
10	Bushing	50%SS+50%PTFE/304		
11	Gland	316		
12	Belleville Washer	301		
13	Stem Nut	A194-8		
14	Stop-lock-Cap	304		
15	Stem Sleeve	50%SS+50%PTFE		
16	Cap(1)	CF8M	CF8	WCB
17	Seat Retainer	316	304	
18	O-Ring	FKM		
19	Body Gasket (1)	PTFE/GRAFOIL		
20	Spring	17-4 PH		
21	Nut	A194-8	A194-2H	
22	Bolt	A193-B8	A193-B7	
23	Body Gasket (2)	PTFE/GRAFOIL		
24	Cap(2)	CF8M	CF8	WCB
25	Washer	50%SS+50%PTFE		
26	Bushing	50%SS+50%PTFE		
27	Plug	CF8M	CF8	
28	End Cap(2)	CF8M	CF8	WCB
29	Handle Gland	4"	304	
30	Handle Adapter	4"	CF8	
31	Set Screwed	4"	A2-70	
32	Bolt	4"	A2-70	
33	Handle	4"	A53+ZnPlated	
34	Handle Sleeve	4"	VINYL PLASTIC	
35	Stop Bolt	4"	A2-70	
36	Stop Nut	4"	A2-70	



ASME CLASS 150 DIMENSION TABLE

Unit: mm

SIZE	d	d1	L	R	D	C	f	T	N	h	H	W	P	M	E1	E2	U1	U2	ISO5211
4"	100	91	385	157.2	230	190.5	2	22.3	8	19.0	195.0	400	27	27	125	—	14	—	F12
6"	150	138	490	216.0	280	241.3	2	23.9	8	22.3	228.5	500	36	36	140	165	18	22	F14&F16
8"	200	184	620	270.0	345	298.5	2	27.0	8	22.3	281.5	500	36	36	140	165	18	22	F14&F16

ASME CLASS 300 DIMENSION TABLE

Unit: mm

SIZE	d	d1	L	R	D	C	f	T	N	h	H	W	P	M	E1	E2	U1	U2	ISO5211
4"	100	91	388	157.2	255	200.0	2	30.2	8	22.3	195.0	400	27	27	125	—	14	—	F12
6"	150	138	520	216.0	320	269.9	2	35.0	12	22.3	228.5	500	36	36	140	165	18	22	F14&F16
8"	200	184	660	270.0	380	330.2	2	39.7	12	25.4	281.5	500	36	36	140	165	18	22	F14&F16